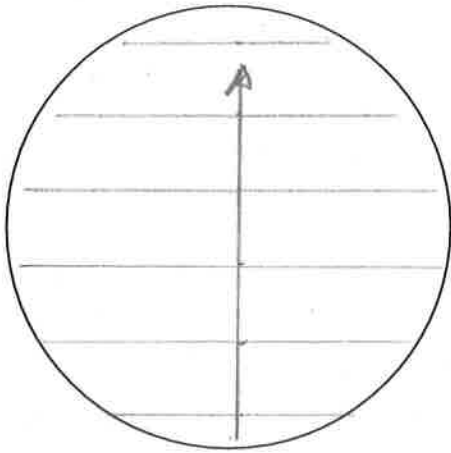
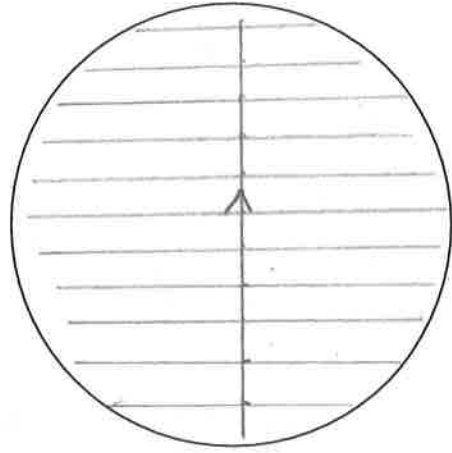


Name: SIMONSON  
Block:

A. Frequency and wavelength

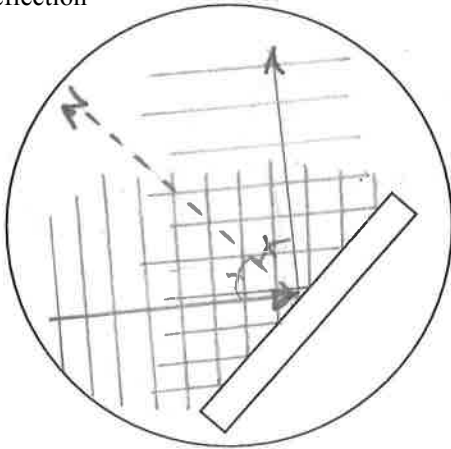


Low Frequency

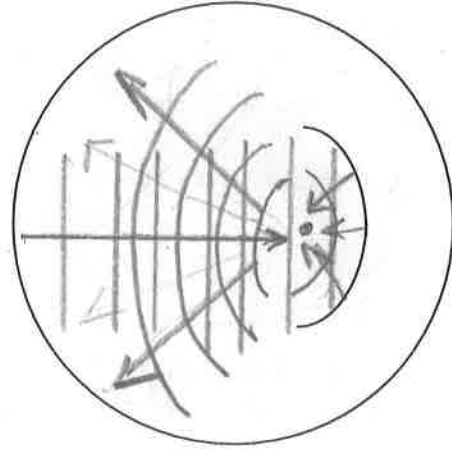


High Frequency

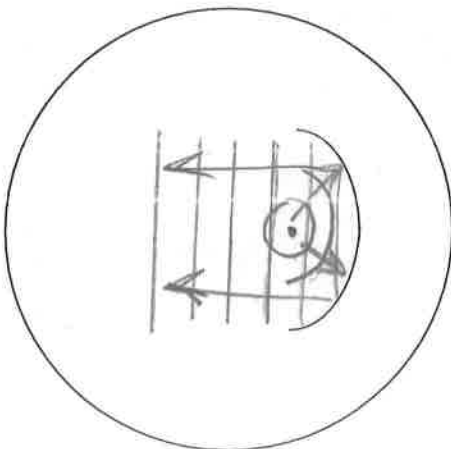
B. Reflection



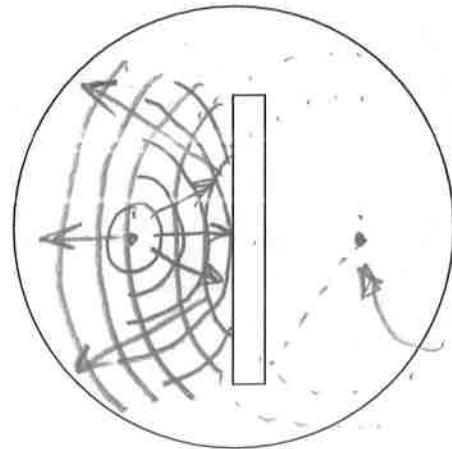
straight waves



straight waves



circular waves @ focus

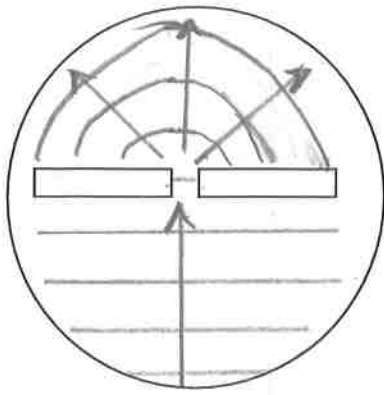


REFLECTED  
WAVES  
ARE  
CENTERED  
HERE

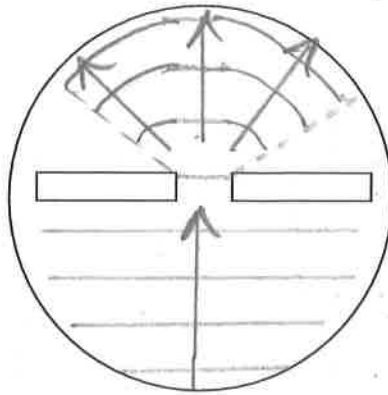
circular waves

C. Diffraction

MAX DIFF

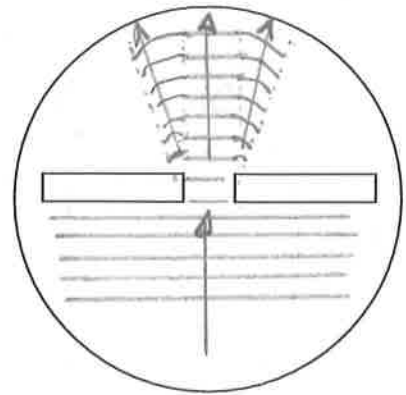


long wavelength, small gap



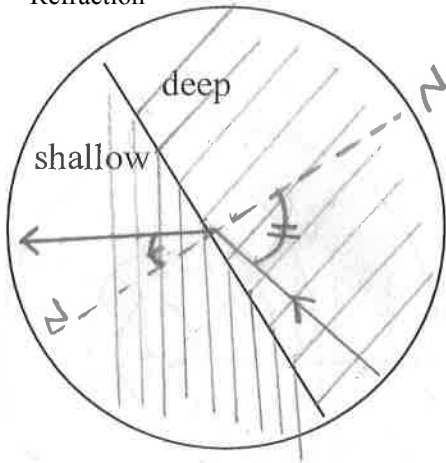
long wavelength, large gap

MIN. DIFF

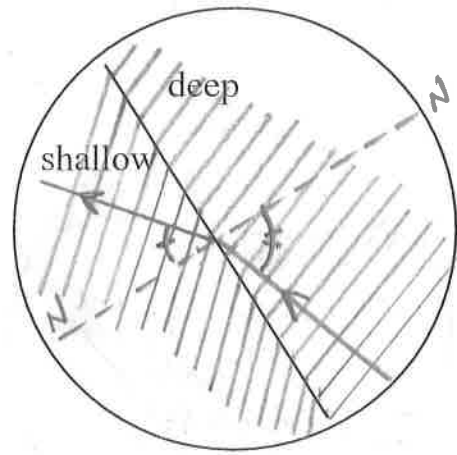


short wavelength, large gap

D. Refraction

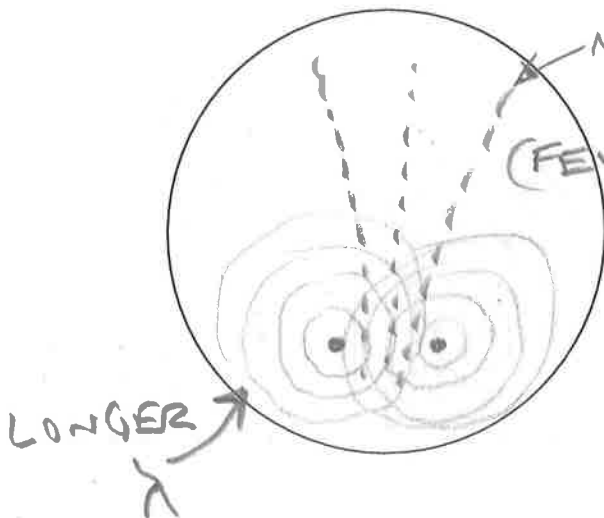


long wavelength  
MORE REFRACTION

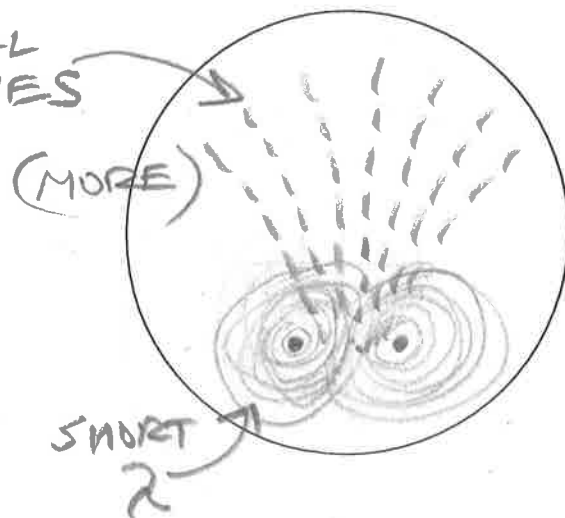


short wavelength  
LESS REFR

E. Interference



low frequency



high frequency